

PLEASE CHECK WWW.MOLEX.COM FOR LATEST PART INFORMATION

Part Number: [0879431101](#)
Status: **Active**
Description: 2.50mm (.098") / 3.50mm (.138") Pitch Wire-to-Board Female Crimp Terminal, Tin (Sn)
 Overall, 16 AWG, Reel Packaging, Lead-free

Documents:

[Drawing \(PDF\)](#) [RoHS Certificate of Compliance \(PDF\)](#)

General

Product Family	Crimp Terminals
Series	87943
Crimp Quality Equipment	Yes
Product Name	N/A

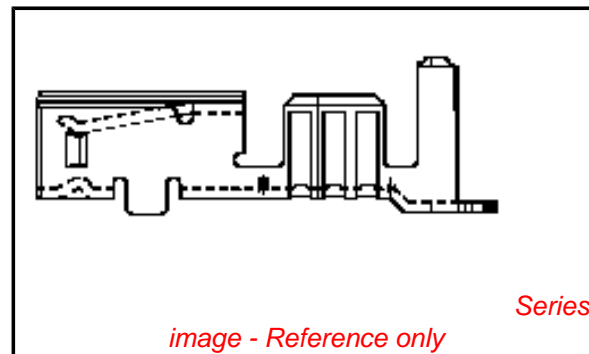
Physical

Durability (mating cycles max)	30
Gender	Female
Material - Metal	Copper
Material - Plating Mating	Tin
Material - Plating Termination	Tin
Packaging Type	Reel
Plating min: Mating (µin)	20
Plating min: Mating (µm)	0.50
Plating min: Termination (µin)	20
Plating min: Termination (µm)	0.50
Termination Interface: Style	Crimp or Compression
Wire Insulation Diameter	1.87-2.45mm
Wire Size AWG	16
Wire Size mm ²	1.31

Material Info

Reference - Drawing Numbers

Sales Drawing	SD-87943-011
---------------	--------------



EU RoHS

**ELV and RoHS
Compliant**
**REACH SVHC
Contains SVHC: No
Halogen-Free
Status
Not Reviewed**

China RoHS



**Need more information on product
environmental compliance?**

Email productcompliance@molex.com
 For a multiple part number RoHS Certificate of
 Compliance, [click here](#)

Please visit the [Contact Us](#) section for any
 non-product compliance questions.

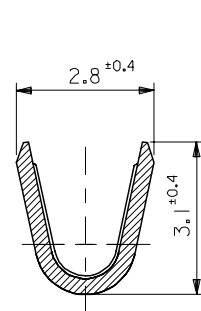
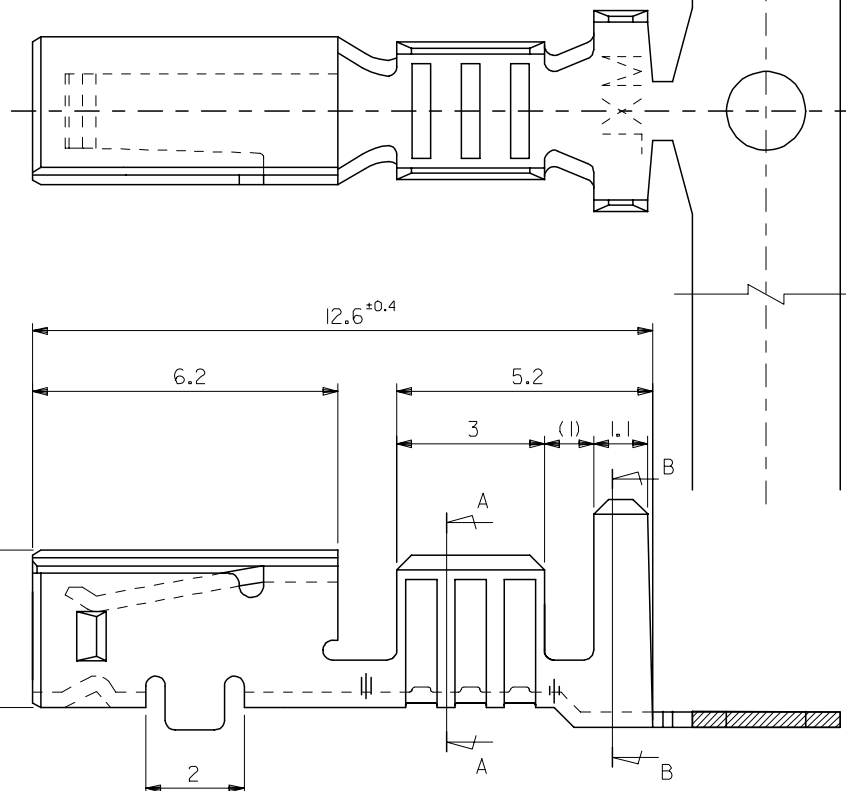
Search Parts in this Series

[87943Series](#)

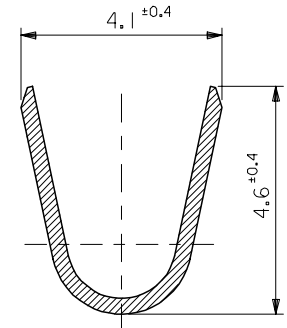
Use With

[87943-7001](#) Receptacle Housing

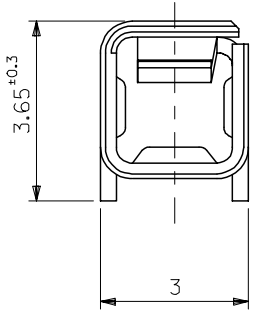
PART NUMBER CHAIN	PART NUMBER LOOSE
87943-1101	87943-1001



SECT. A-A



SECT. B-B



- NOTES:
1. MATERIAL : TIN PLATED HIGH CONDUCTIVE COPPER ALLOY WITH THICKNESS 0.32mm.
 2. APPLICABLE HOUSING: 87943-7001.
 3. APPLICABLE WIRE: 16 AWG.
 4. APPLICABLE INSULATION RANGE: 1.87mm TO 2.45mm
 5. CRIMP SPECIFICATION: CS-50535

ADD TEXTS	DESCRIPTION
EC NO: S2006-0818	
DRWN:KELIM	
CHKD:NRVITTA PALLI	
APPR:PTLIM	
REV	
A1	

QUALITY SYMBOLS	DESCRIPTION
▽=0	
▽C=0	

GENERAL TOLERANCES (UNLESS SPECIFIED)	mm	INCH
4 PLACES	± ---	± ---
3 PLACES	± ---	± ---
2 PLACES	± ---	± ---
1 PLACE	± 0.25	± ---
ANGULAR ± 3 °		
DRAFT WHERE APPLICABLE MUST REMAIN WITHIN DIMENSIONS		

DRAWN BY	DATE
NRVITTA PALLI	2005/05/11
CHECKED BY	DATE
PTLIM	2005/05/13
APPROVED BY	DATE
SCLOW	2005/05/13
MATERIAL NO.	
SIZE	
A3	

SCALE	DESIGN UNITS	THIRD ANGLE PROJECTION
NTS	METRIC	
TITLE		
CRIMP TERMINAL 2.5/3.5 W-T-B RECEPTACLE		
MOLEX INCORPORATED		
DOCUMENT NO.	SHEET NO.	
SD-87943-011	1 OF 1	
THIS DRAWING CONTAINS INFORMATION THAT IS PROPRIETARY TO MOLEX INCORPORATED AND SHOULD NOT BE USED WITHOUT WRITTEN PERMISSION		